



SPOTWAVE

coverage made simple

Product Update Bulletin for Spotwave® Certified Installers

SpotCell® Home, SpotCell® Enterprise, and SpotCell® Carrier

Introduction

The recent introduction of our SpotCell® Home and SpotCell® Enterprise line of products has greatly expanded the variety of Spotwave solutions available to our customers. This bulletin is intended to inform Spotwave Certified Installers about the basic differences between the Home, Enterprise and Carrier line of Spotwave solutions and provide detailed information on what equipment is shipped with each product.

The SpotCell Home, Enterprise, and Carrier adaptive coverage systems are ideal solutions for enhancing indoor wireless connectivity in spaces ranging from 5,000 sq. ft up to 80,000 sq. ft. The products are carrier-specific, easily deployed, cost-effective coverage solutions for both cellular and PCS bands. Once installed, a SpotCell solution requires no maintenance or adjustments and is guaranteed to protect signal integrity under changing conditions.

The following table gives a brief overview of the differences between the SpotCell Home, Enterprise, and Carrier solutions.

	SpotCell Home	SpotCell Enterprise	SpotCell Carrier
Coverage	Up to 5000 ft ²	5000 to 50,000 ft ²	5000 to 80,000 ft ²
Optional Outdoor self-install kit	✓	✓	(included)
Extended Coverage Option		✓	✓
Extension Antenna Option		✓	✓
Local O&M Support		✓	✓
Remote O&M Support			✓
CU Mounting Bracket		✓	✓

The remainder of this document provides detailed information on what equipment is shipped with each product.

Table of Contents

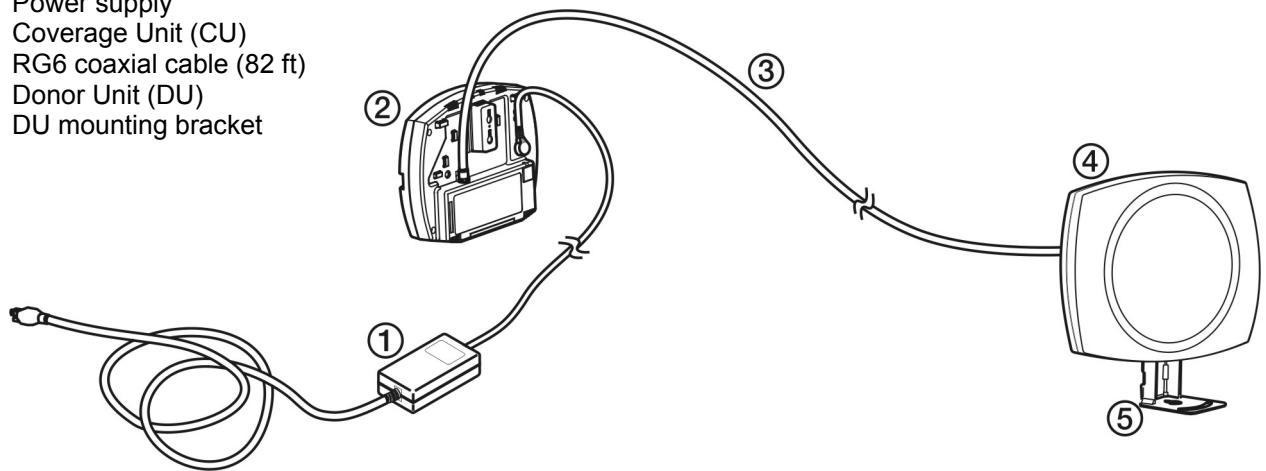
- Introduction i
- Table of Contents..... ii
- SpotCell Home..... 1
 - Outdoor Self Install Kit 1
- SpotCell Enterprise 2
 - Outdoor Self Install Kit 2
 - SpotCell Enterprise Extended Coverage Option 3
- SpotCell Carrier Indoor Coverage Systems 4
 - SpotCell 100 Carrier..... 4
 - SpotCell 200 Carrier..... 5
- Product Links 6

SpotCell Home

SpotCell® Home coverage systems are designed to improve indoor wireless coverage in small offices and residences up to **5,000 square feet**. The product is a carrier-specific coverage solution for both cellular and PCS bands.

Included in the **SpotCell Home Kit**:

1. Power supply
2. Coverage Unit (CU)
3. RG6 coaxial cable (82 ft)
4. Donor Unit (DU)
5. DU mounting bracket



For the above SpotCell Home kit the following parts are also included:

For mounting the DU

- Hex 1/4" x 2" screws (3)
- Hex #1/4-20 x 1 screws (3)
- Flat #8 washers (3)
- Lock washers (3)

For mounting the CU

- Phillips 1 1/2" screws (2)
- Flat washers (2)
- Self tapping #8 drywall anchors (2)

Outdoor Self Install Kit (part # 100-10090-01)

The Outdoor Install kit is intended for the “do-it-yourselfer” who needs to setup the SpotCell Home system with the Donor Unit (DU) mounted outside. When the DU is mounted outside, the SpotCell Home system requires additional lightning protection components that are included in the self-installation kit along with extra cable and mounting hardware.

The Outdoor Self Install kit includes:

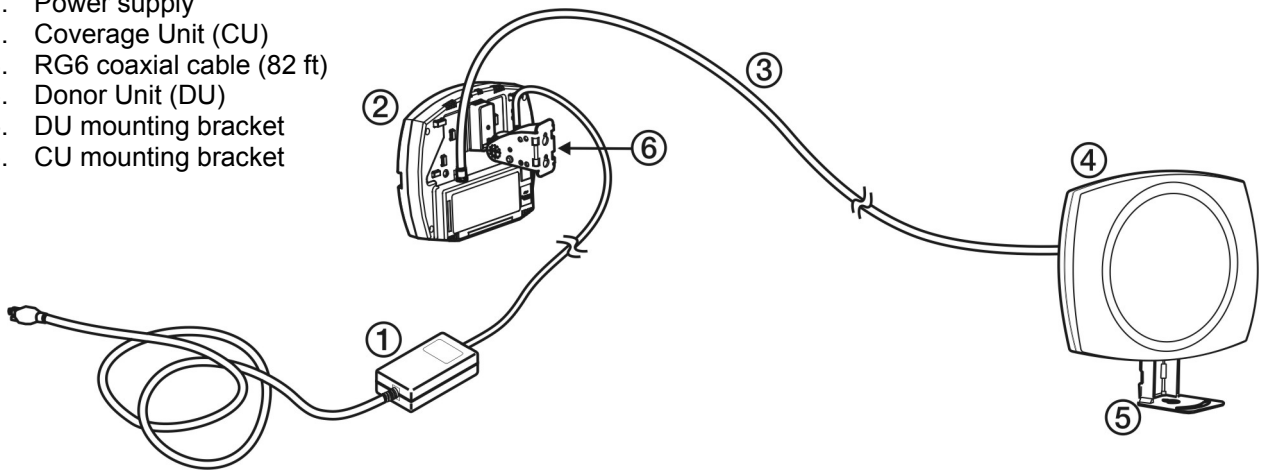
- Angled mounting brackets (2)
- Hex #1/4-20 x 1 screws (3)
- Hex 1/4-20 nuts (3)
- Lock washers (3)
- Self tapping #8 drywall anchors (3)
- Concrete 5/16x1-1/5 anchors (5)
- Hose clamps (2)
- Cable Tie, No.8, natural (10)
- Cable tie, weather resistant (10)
- Caulking cord (gray)
- Ground block
- RG6 coax cable assembly (2m)

SpotCell Enterprise

SpotCell® Enterprise coverage systems are designed to improve indoor wireless coverage in spaces ranging from **5,000 to 25,000 square feet** and up to **50,000 square feet** with the Extended Coverage Option. The product is a carrier-specific coverage solution for both cellular and PCS bands.

Included in the **SpotCell Enterprise Kit**:

1. Power supply
2. Coverage Unit (CU)
3. RG6 coaxial cable (82 ft)
4. Donor Unit (DU)
5. DU mounting bracket
6. CU mounting bracket



For the above SpotCell Enterprise kit the following parts are also included:

For mounting the DU

- Hex 1/4" x 2" screws (3)
- Hex #1/4-20 x 1 screws (3)
- Flat #8 washers (3)
- Lock washers (3)

For mounting the CU

- Phillips 1 1/2" screws (2)
- Phillips 1/2" screw
- Flat washers (2)
- Self tapping #8 drywall anchors (2)

Outdoor Self Install Kit (part # 100-10090-01)

The Outdoor Install kit is intended for the SpotCell Enterprise system with the Donor Unit (DU) mounted outside. When the DU is mounted outside, the SpotCell Enterprise system requires additional lightning protection components that are included in the self-installation kit along with extra cable and mounting hardware.

The Outdoor Self Install kit includes:

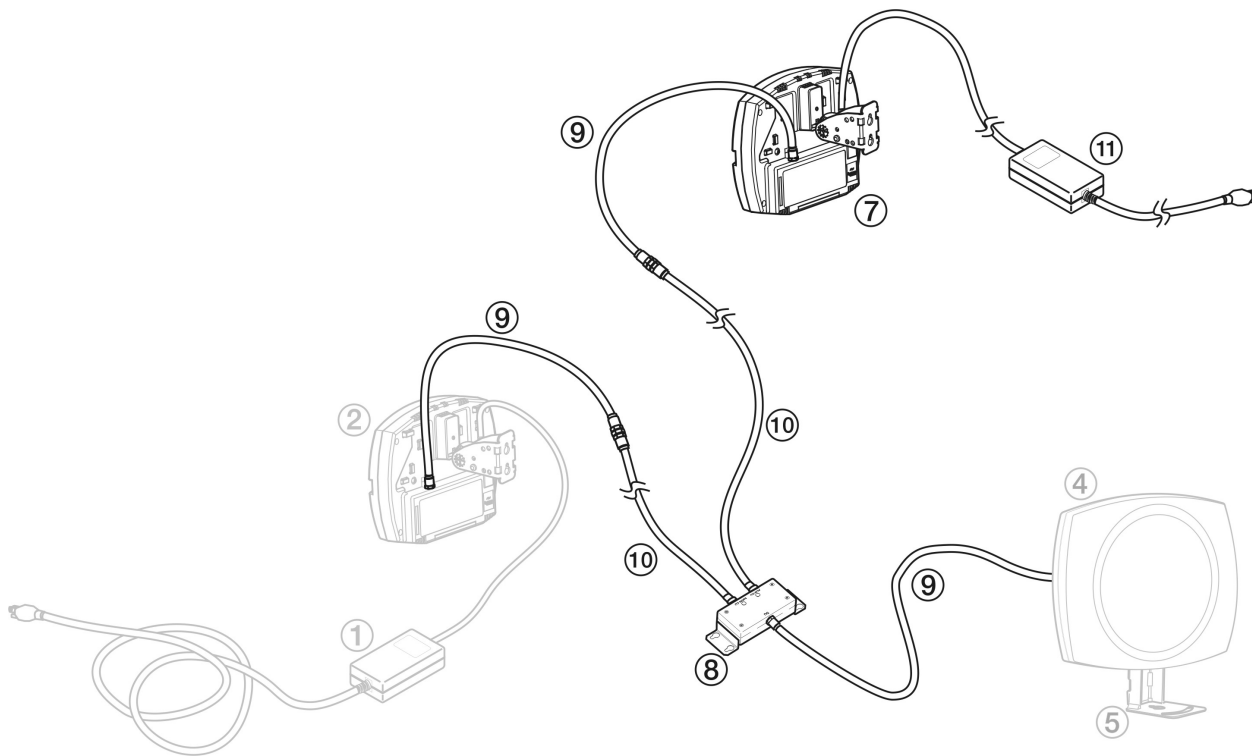
- Angled mounting brackets (2)
- Hex #1/4-20 x 1 screws (3)
- Hex 1/4-20 nuts (3)
- Lock washers (3)
- Self tapping #8 drywall anchors (3)
- Concrete 5/16x1-1/5 anchors (5)
- Hose clamps (2)
- Cable Tie, No.8, natural (10)
- Cable tie, weather resistant (10)
- Caulking cord (gray)
- Ground block
- RG6 coax cable assembly (2m)

SpotCell Enterprise Extended Coverage Option

The SpotCell® Enterprise Extended Coverage option is designed to expand the SpotCell Enterprise Coverage system up to **50,000 square feet**.

Included in the **SpotCell Enterprise Extended Coverage Option Kit**:

- 7. Auxiliary Coverage Unit & mounting bracket
- 8. Hub
- 9. RG6 coaxial cables (2)
- 10. RG11 coaxial cables (3)
- 11. Power supply



The following parts are included with the Enterprise Extended Coverage Option kit:

For mounting the auxiliary CU:

- Phillips 1½" screws (2)
- Phillips ½" screw
- Flat washers (2)
- Self tap drywall anchors (2)

For mounting the hub:

- Phillips 1½" screws (2)
- Self tap drywall anchors (2)

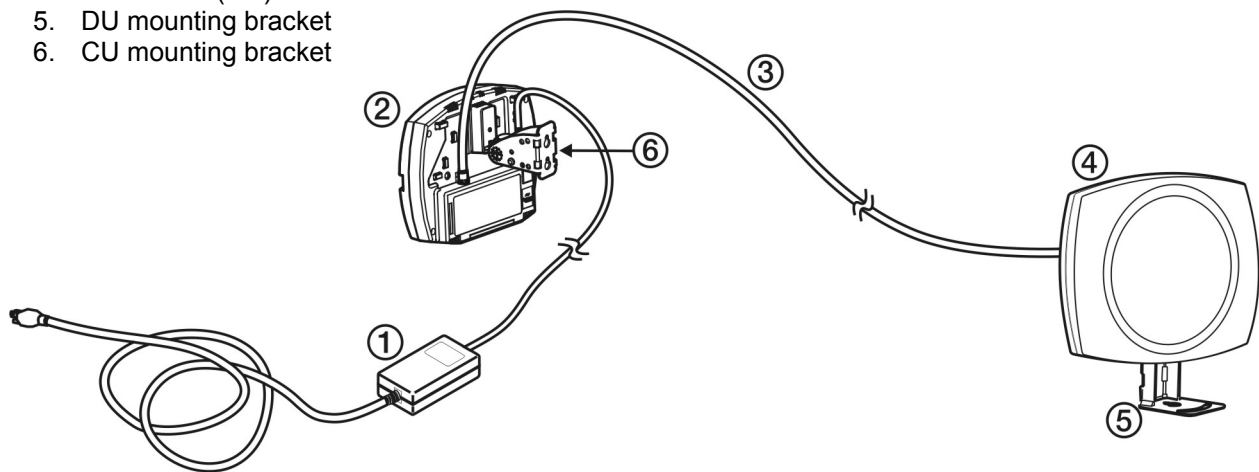
SpotCell Carrier Indoor Coverage Systems

SpotCell 100 Carrier

SpotCell® 100 Carrier indoor coverage systems are designed to improve indoor wireless coverage in spaces ranging from **5,000 to 25,000 sq. ft.** (up to 40,000 sq. ft. in open areas). The product is a carrier-specific coverage solution for both cellular and PCS bands.

Included in the SpotCell 100 Carrier Kit:

1. Power supply
2. Coverage Unit (CU)
3. Coaxial cable (as ordered)
4. Donor Unit (DU)
5. DU mounting bracket
6. CU mounting bracket



The following parts are included with the above SpotCell Carrier 100 kit:

For mounting the DU:

- Angled mounting brackets (2)
- Hex #1/4-20 x 1 screws (3)
- Hex 1/4-20 nuts (3)
- Lock washers (6)
- Self tap #8 drywall anchors (3)
- Concrete 5/16x1-1/5 anchors (5)
- Hex 1/4" x 2" screws (3)
- Hex #1/4-20 x 1 screws (3)
- Flat #8 washers (3)
- Hose clamps (2)
- Cable Tie, No.8, natural (10)
- Cable tie, weather resistant (10)
- Caulking cord (gray)

For mounting the CU:

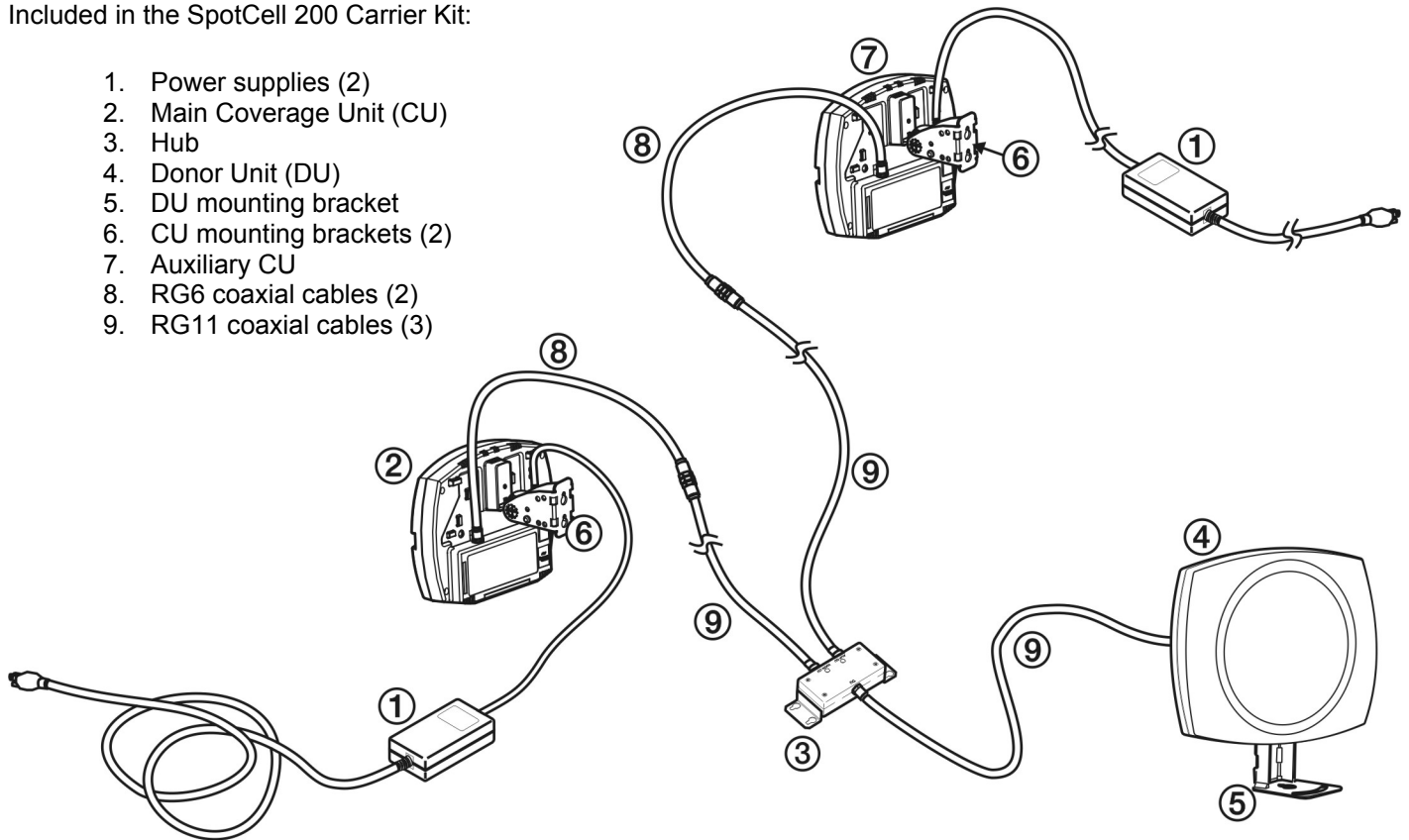
- Phillips 1 1/2" screws (2)
- Phillips 1/2" screw
- Flat washers (2)
- Self tapping #8 drywall anchors (2)

SpotCell 200 Carrier

SpotCell® 200 Carrier indoor coverage systems are designed to improve indoor wireless coverage in spaces ranging from **25,000 to 50,000 sq. ft.** (up to 80,000 sq. ft. in open areas). The product is a carrier-specific coverage solution for both cellular and PCS bands.

Included in the SpotCell 200 Carrier Kit:

1. Power supplies (2)
2. Main Coverage Unit (CU)
3. Hub
4. Donor Unit (DU)
5. DU mounting bracket
6. CU mounting brackets (2)
7. Auxiliary CU
8. RG6 coaxial cables (2)
9. RG11 coaxial cables (3)



The following parts are included with the above SpotCell Carrier 200 kit:

For mounting the DU:

- Angled mounting brackets (2)
- Hex #1/4-20 x 1 screws (3)
- Hex 1/4-20 nuts (3)
- Lock washers (6)
- Self tap #8 drywall anchors (3)
- Concrete 5/16x1-1/5 anchors (5)
- Hex 1/4" x 2" screws (3)
- Flat #8 washers (3)
- Hose clamps (2)
- Cable tie, weather resistant (10)
- Caulking cord (gray)

For mounting each CU:

- Phillips 1½" screws (2)
- Phillips ½" screw (1)
- Flat washers (2)
- Self tapping #8 drywall anchors (2)
- Cable Tie, No.8, natural (10)

For mounting the hub:

- Phillips 1½" screws (2)
- Self tap drywall anchors (2)

Product Links

SpotCell Home

http://www.spotwave.com/products/spotcell_home.asp

SpotCell Enterprise

http://www.spotwave.com/products/spotcell_enterprise.asp

SpotCell 100 Carrier

http://www.spotwave.com/products/spotcell_100.asp

SpotCell 200 Carrier

http://www.spotwave.com/products/spotcell_200.asp

© Copyright 2005 Spotwave Wireless Inc.
The information contained herein is subject to change without notice.

The only warranties for Spotwave Wireless products and services are set forth in the express warranty statements accompanying such products and services. Nothing herein should be construed as constituting an additional warranty. Spotwave Wireless shall not be liable for technical or editorial errors or omissions contained herein. Some product specifications are subject to change. For up-to-date information please visit www.spotwave.com.

Version 2 – July 12, 2005