

## Spotwave Product Bulletin

**Ref: SpotCell Coverage Unit Power Considerations - revised**  
**No: 2013.05**

The latest version of the SpotCell 2500 Coverage Unit (PN 100-10097-01 Rev E) introduces new flexible powering options to assist with simplifying SpotCell installations.

With the new Coverage Unit, shipping effective March 25<sup>th</sup> 2011, the second port (labeled '2') on the Coverage Unit provides DC power to the downstream Coverage Unit.. As a result, a single AC Power Adaptor can supply DC power to the Donor Unit as well as the other Coverage Unit, connected to it. For installations where a Q-Hub is used, a single AC Power Adaptor should be used to provide DC power to the primary leg as well as the Donor Unit, and another AC Power Adaptor used to provide DC power to the secondary leg.

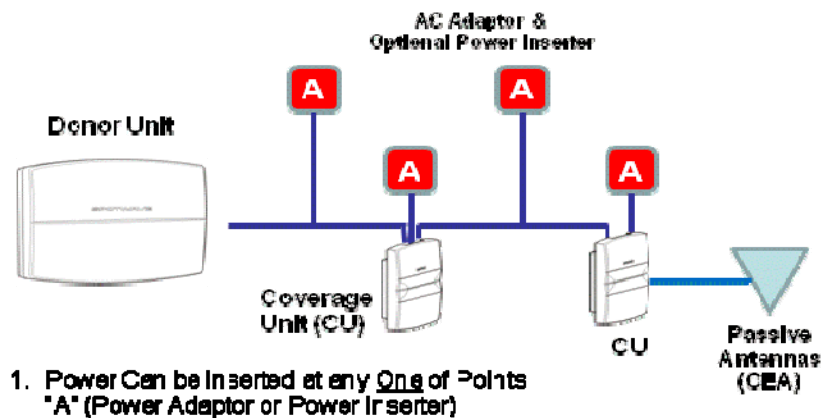
The AC Power Adaptors may be connected either to the DC port on a Coverage Unit or Q-Hub, or on the DC port of a Power Inserter which in turn is connected to the RF cable. If a Power Inserter is used, it may be connected to any RF cable run used in the system. However, it is important that a maximum of one (1) AC Power Adaptor be used for each system "leg". A "leg" is defined as a combination of a 1 or 2 Coverage Units (CU), with or without a Coverage Extension Antenna (CEA) in serial connection.

Please note also that the new Coverage Unit is now shipped without a 75 ohm load (or bulk head) on the second port.

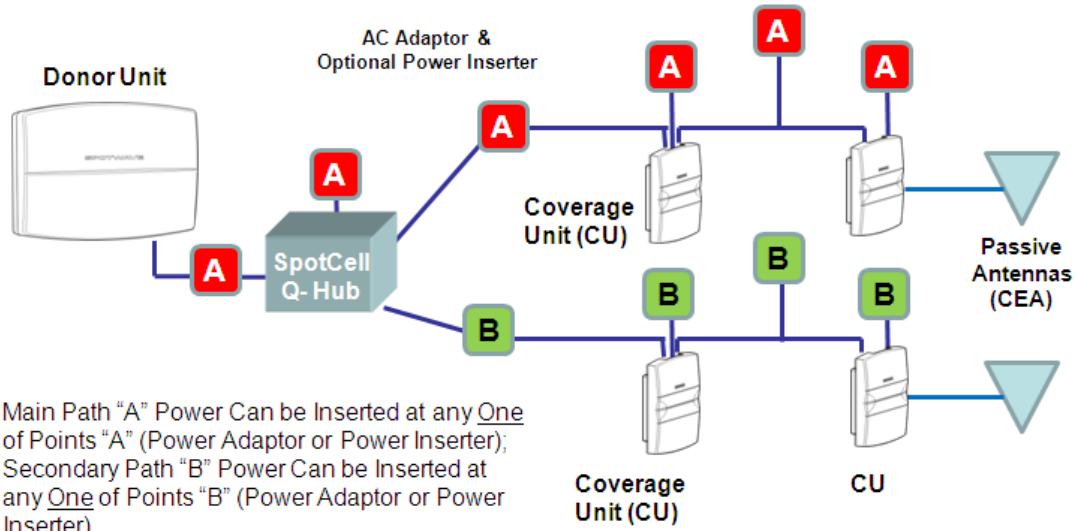
**Special Note: If a 75 ohm load is installed on the second port of the Coverage Unit, it will be subject to over heating.**

### Supported SpotCell AC Power Adaptor Configurations

#### Scenario A



### Scenario B



### Spotwave Technical Support:

To contact Spotwave Wireless Customer Service and Support by telephone, call 866 704 9750

Additional support information may be obtained at [www.spotwave.com](http://www.spotwave.com)