



**SPOTWAVE**

coverage made simple

# SpotCell® 2500Xe Product Bulletin for Spotwave® Certified Installers

Product Overview, Standard Equipment and Optional Kits

---

## Introduction

This bulletin is intended to inform Spotwave Certified Installers about the new SpotCell® 2500Xe Coverage System and provide detailed information on what equipment is shipped with the product and the optional mounting kits.

The SpotCell 2500Xe Coverage System is an ideal solution for enhancing indoor wireless connectivity in spaces ranging from 25,000 sq. ft up to 80,000 sq. ft. The product is a carrier-specific, easily deployed, cost-effective coverage solution for both cellular and PCS bands. Once installed, a SpotCell solution requires no maintenance or adjustments and is guaranteed to protect signal integrity under changing conditions.



**2500 Xe**  
Indoor Coverage Systems

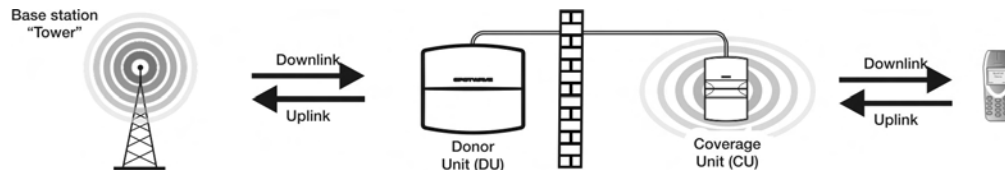
## Table of Contents

Product Overview.....	1
What's the same? .....	1
What's different? .....	1
SpotCell 2500Xe Kit .....	3
SpotCell 2500Xe Extended Coverage option.....	4
DU Outdoor Install Kit .....	5
DU Indoor Install Kit .....	6
CU Hidden Cable Install Kit .....	7
CU Ceiling Mount Install Kit .....	8
Product Link .....	10

## Product Overview

### What's the same?

The SpotCell® 2500Xe coverage system has the familiar 2 unit architecture that includes a Donor Unit and a Coverage Unit.



The 2500Xe is designed to improve indoor wireless coverage in spaces ranging from **25,000 to 40,000 square feet** and up to **80,000 square feet** with the addition of a second coverage unit. The product is a carrier-specific coverage solution for both cellular and PCS bands.

### What's different?

#### Appearance & size

The SpotCell 2500Xe has a new more attractive look and feel, with a smaller CU.



#### No Install mode

The system (once connected and powered) starts automatically – no more install mode.

#### Single step DU alignment

Rotate the DU and stop when you achieve the maximum number of bars (5 Bars represent a strong signal).



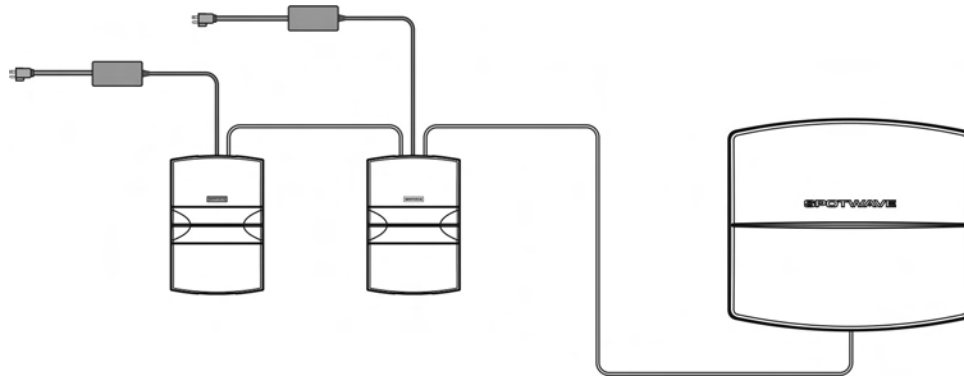
#### No LCD on CU

System status is indicated by the color of the LEDs on the CU and DU.



## Supports cascaded CU

SpotCell 2500Xe supports a cascaded Coverage Unit for SpotCell 200-like performance.



## CU orientation

The SpotCell 2500Xe Coverage Unit is designed to be mounted only in a vertical orientation. The CU cannot be mounted horizontally as this may cause the unit to exceed its normal operating temperature.

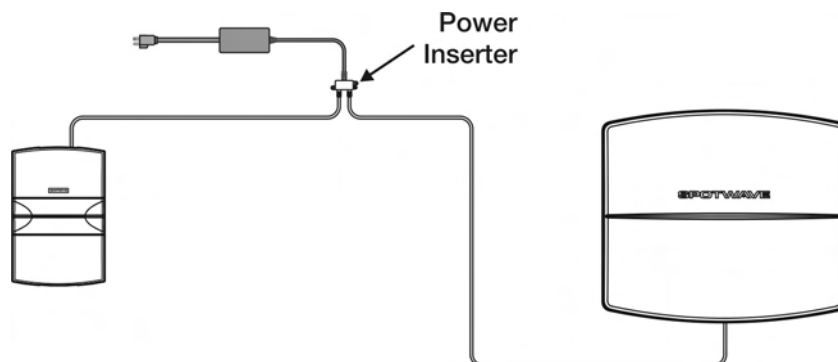


## Cable length

Performance is cable length independent (0-35m RG6 or 0-75m RG11). Although solid copper core cable is required, this means that “Spotwave approved” RF cable is no longer a critical requirement.

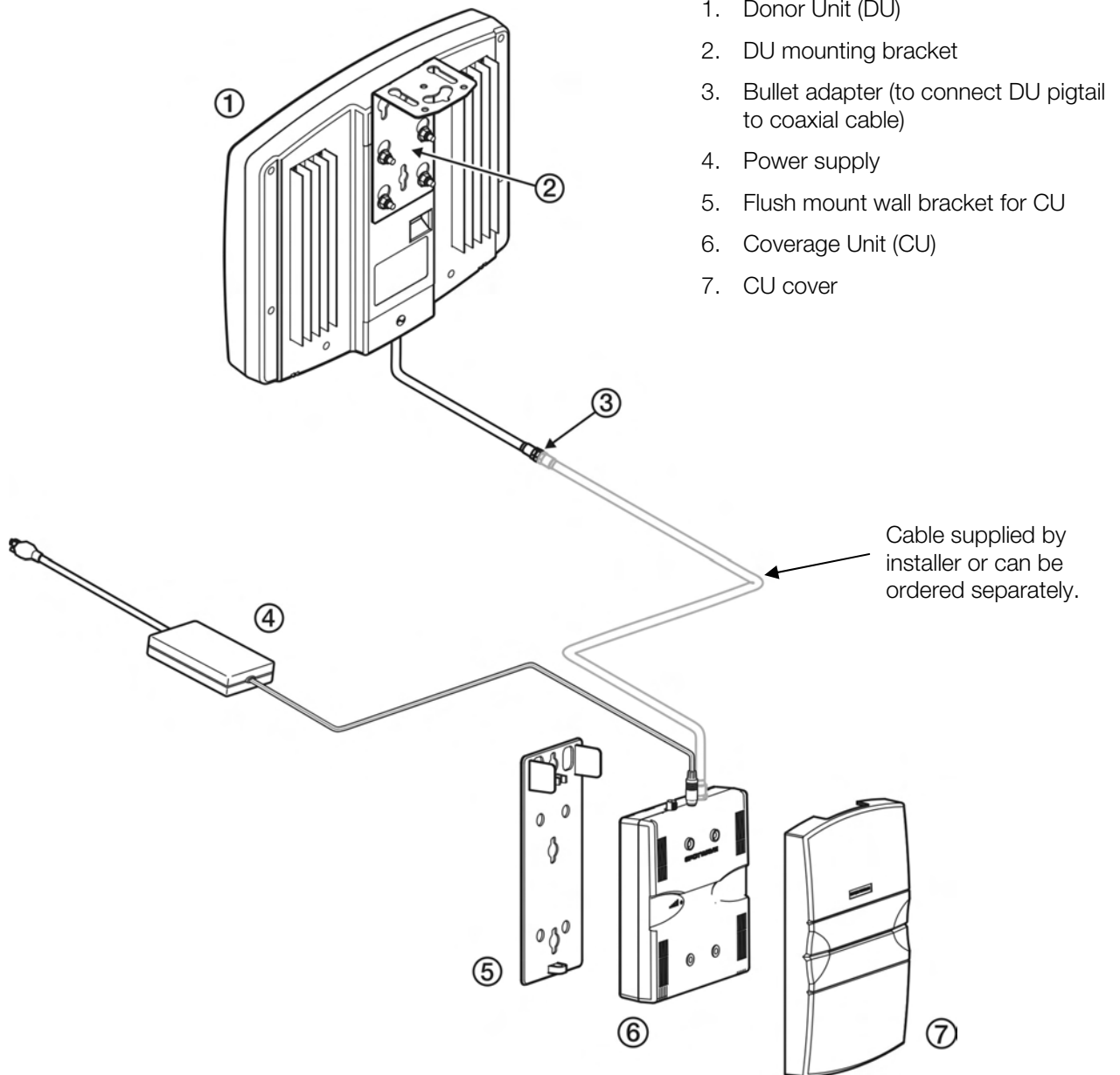
## Power Inserter option

The SpotCell 2500Xe system can be powered through the regular AC adapter connection on the CU or through a Power Inserter (BIAS-T) which is included in the CU Hidden Cable Install kit. This second option allows the system to be powered from a more discreetly or conveniently located AC outlet anywhere along the coaxial cable run.



## SpotCell 2500Xe Kit

The SpotCell 2500Xe is shipped with the following:



For the above SpotCell 2500Xe kit the following parts are also included:

### For mounting the DU

- ¼" concrete screws (2)
- flat washers (4)
- drywall anchors (2)
- cable ties (2)
- concrete anchors (2)

### For mounting the CU wall bracket

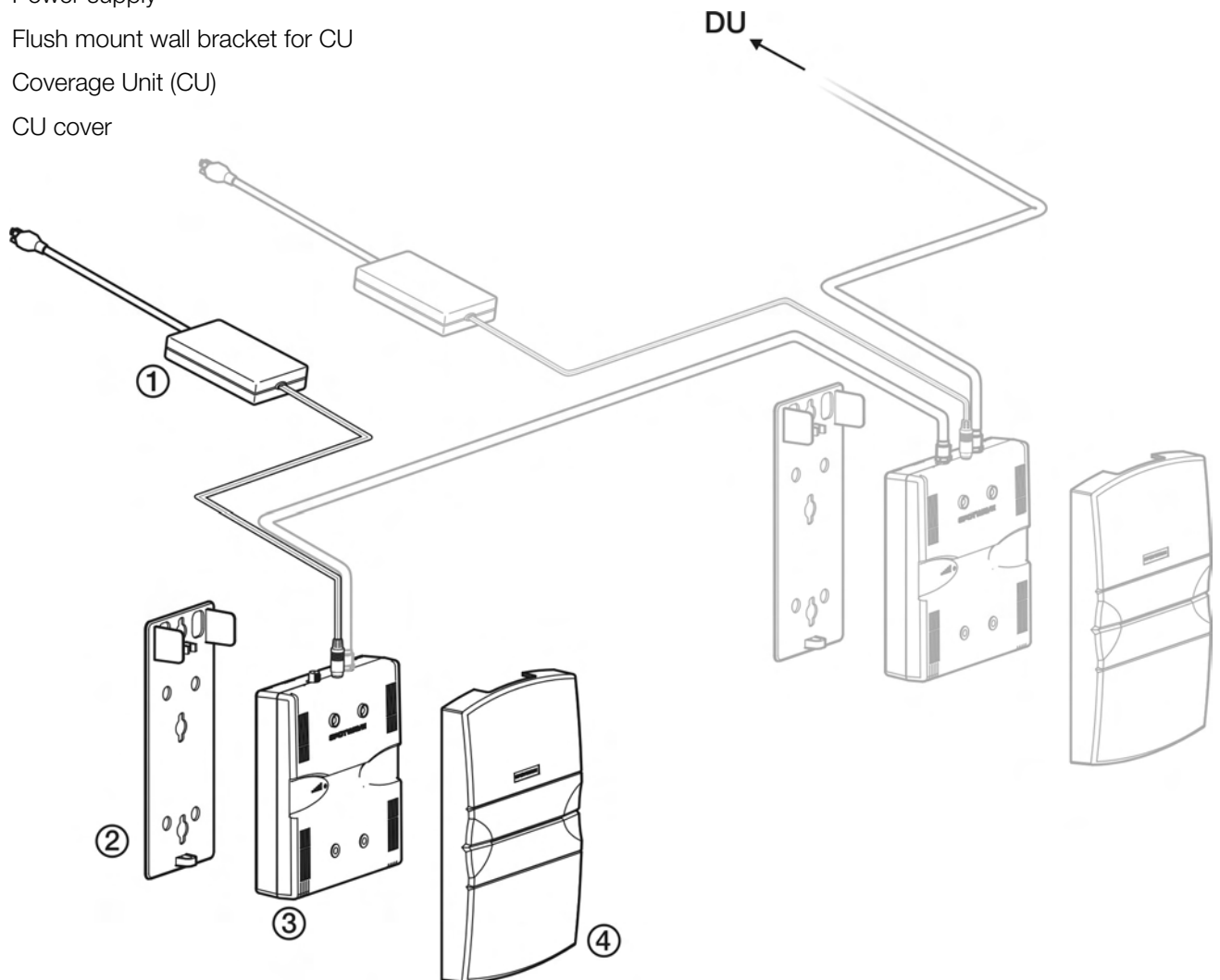
- #6 screws (2)
- drywall anchors (2)
- ¼" concrete screws (2)

## SpotCell 2500Xe Extended Coverage option

The Extended Coverage option can expand the system coverage area up to 80,000 sq. feet.

Included in the SpotCell 2500Xe Extended Coverage option:

1. Power supply
2. Flush mount wall bracket for CU
3. Coverage Unit (CU)
4. CU cover



The following parts are also included with the SpotCell 2500Xe Extended Coverage option:

### For mounting the CU wall bracket

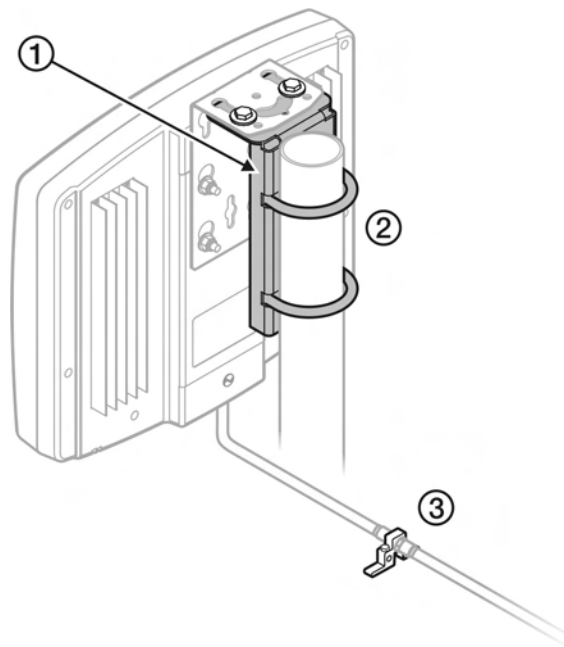
- #6 screws (2)
- drywall anchors (2)
- 1/4" concrete screws (2)

## DU Outdoor Install Kit

The DU Outdoor Install kit is intended for a SpotCell 2500Xe system with the Donor Unit (DU) mounted outside. When the DU is mounted outside, the SpotCell Enterprise system requires additional lightning protection components that are included in the DU Outdoor Installation kit along with extra mounting hardware.

Included in the DU Outdoor Install kit:

1. Outdoor mounting bracket
2. U-bolts for 1.9" outer diameter pole (2)
3. Ground block



The following parts are also included in the DU Outdoor Install kit:

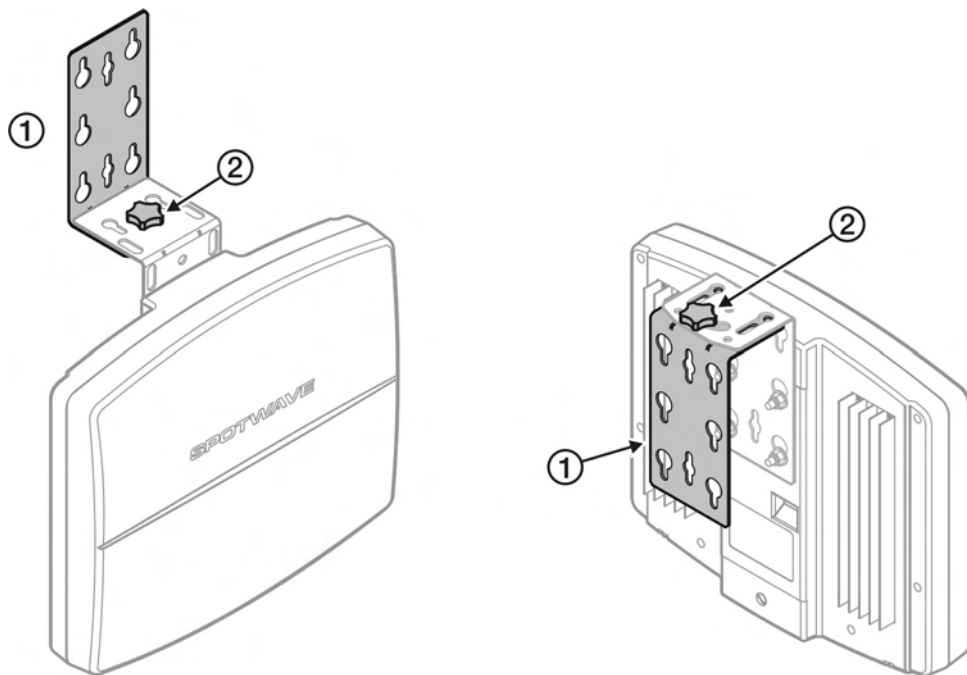
- ¼" thumb screw
- ¼" hex nuts (2)
- ¼" flat washers (4)
- lock washers (3)
- ¼" hex screws (2)

## DU Indoor Install Kit

The DU Indoor Install kit includes extra hardware for mounting the SpotCell 2500Xe Donor Unit (DU) indoors on a wall, in an attic or other indoor location such a window opening. The figure below shows the DU Indoor Install kit in two different possible mounting configurations

Included in the DU Indoor Install kit:

1. L-shaped bracket
2. ¼" thumb screw



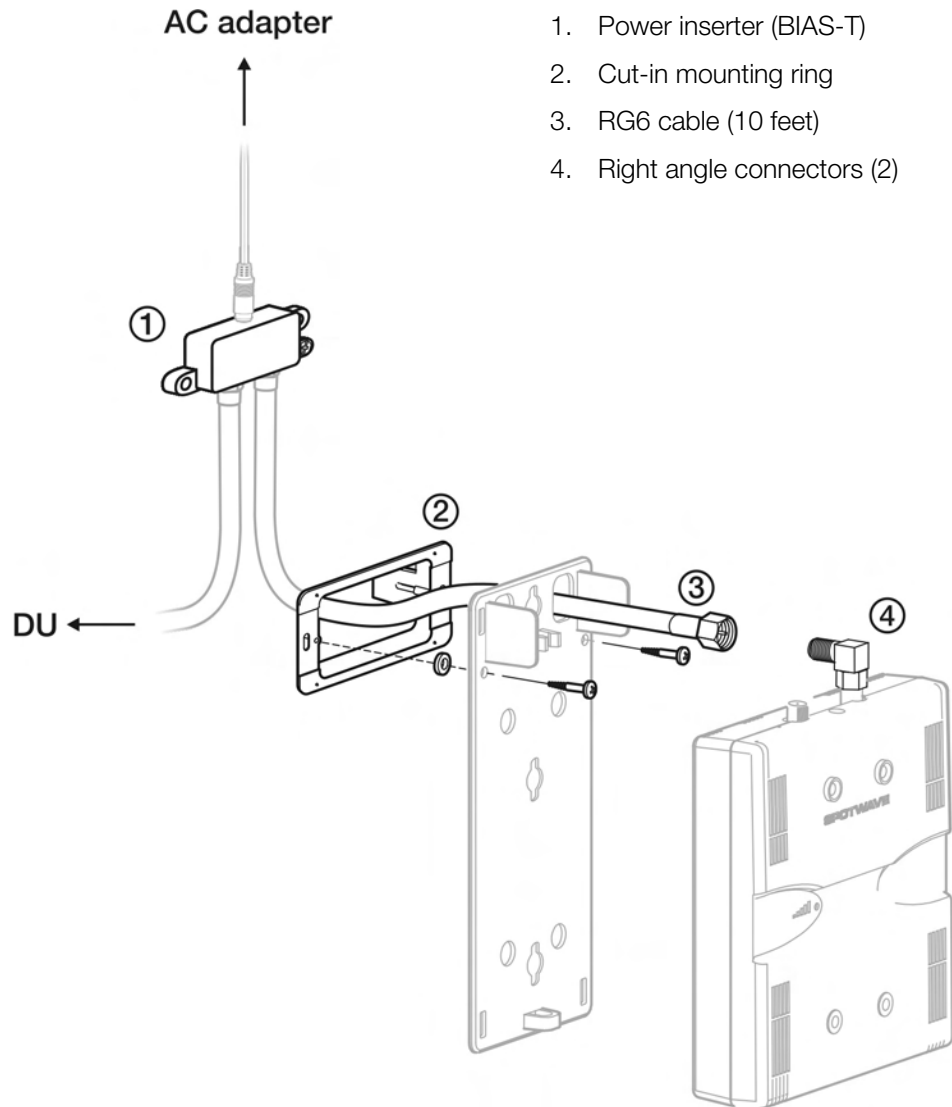
The following parts are also included in the DU Indoor Install kit:

- ¼" hex nuts (2)
- ¼" flat washers (5)
- ¼" hex screws (2)
- lock washers (3)



## CU Hidden Cable Install Kit

The CU Hidden Cable Install kit makes it easier to hide RF and power cables that are normally connected directly to the CU and also allows the system to be powered from a more conveniently located AC outlet. Included in the DU Indoor Install kit:



The following part is also included in the CU Hidden Cable Install kit:

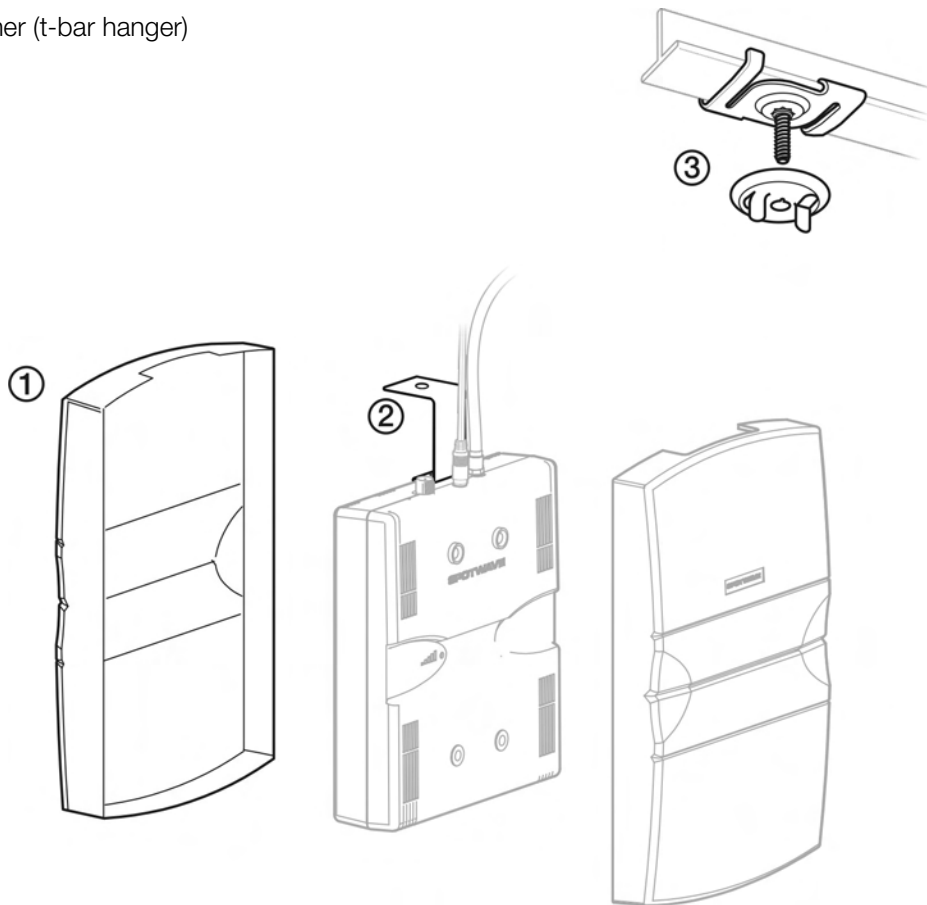
- #6 screws (2)
- #4 washers (2)

## CU Ceiling Mount Install Kit

The CU Ceiling Mount Install kit is used for hanging the Coverage Unit directly from a ceiling.

Included in the CU Ceiling Mount kit:

1. Back cover
2. Ceiling bracket
3. Twist fastener (t-bar hanger)



The following parts are also included in the CU Ceiling Mount Install kit:

- concrete anchor (1)



---

## Product Link

### SpotCell 2500Xe

[http://www.spotwave.com/products/spotcell\\_2500Xe.asp](http://www.spotwave.com/products/spotcell_2500Xe.asp)

---

© Copyright 2005 Spotwave Wireless Inc.  
The information contained herein is subject to change without notice.

The only warranties for Spotwave Wireless products and services are set forth in the express warranty statements accompanying such products and services. Nothing herein should be construed as constituting an additional warranty. Spotwave Wireless shall not be liable for technical or editorial errors or omissions contained herein. Some product specifications are subject to change. For up-to-date information please visit [www.spotwave.com](http://www.spotwave.com).

---

**Version 1.00 – Sept 27, 2005**