

SpotCell 2500Xe – DC Power Inserter

The SpotCell 2500Xe is normally powered from a 24V DC power adapter which is connected directly to the Coverage Unit.

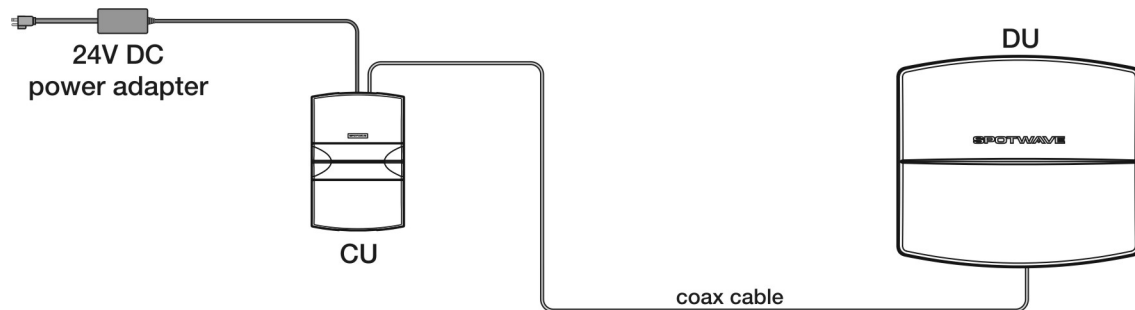


Figure 1: SpotCell 2500Xe standard configuration.

Using a 75 ohm power inserter, the SpotCell 2500Xe system can also be powered from a discreet or more conveniently located AC outlet, anywhere along the coax cable run.

Note: If an extension CU is added to the system, then it must be powered by a second adapter, either directly to the extension CU or through a second power inserter.

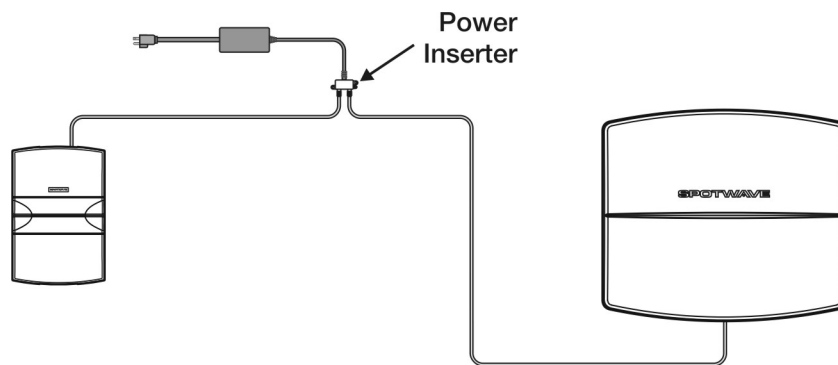


Figure 2: SpotCell 2500Xe with power inserter configuration.

The power inserter can also be used to partly overcome the limitations on cable length due to the coaxial cable's DC resistance. This can be especially useful when using alternative cables with a greater DC resistance such as steel core (see *Application Note 120 – Alternative Cables for the SpotCell 2500Xe*).

The power inserter is available as part of the SpotCell 2500Xe Hidden Cable Kit (part #100-10100-01) which also includes two F-90 connectors and a cut-in mounting ring.