

SpotCell[®] 200 Series Quick Installation Guide

www.spotwave.com

Spotwave Wireless Inc. 1 Hines Road, Ottawa ON K2K 3C7 Canada

© 2005 Spotwave Wireless Inc. All rights reserved. Printed in Canada
Spotwave and SpotCell are trademarks of Spotwave Wireless Inc. Patents pending.

780-00002-01-04

To install the SpotCell® system:

If required, more detailed information on installing a SpotCell system can be found in the User Manual which is available for downloading at

<http://www.spotwave.com/support/documentation>.

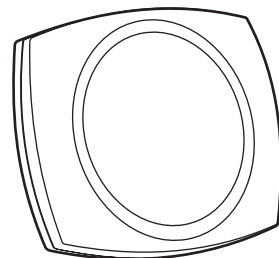
WARNING

For your safety, beware of power lines and ensure that appropriate safety measures are maintained at all times during the installation of your SpotCell equipment. Contact with high-voltage power lines could result in death or serious injury.

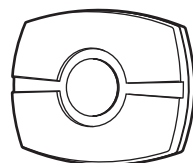
1. Parts List

- Donor Unit (DU)
- Cables
- Mounting kits
- 2 Coverage Units (CUs)
- Power supplies
- Hub

DU
(outward-facing unit)



CU
(indoor unit)

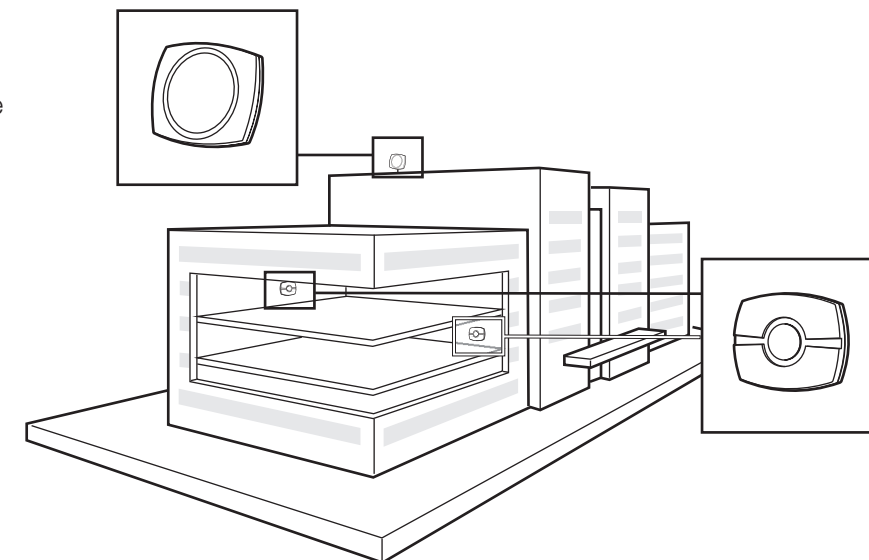


2. Location

The DU can be mounted anywhere your cell phone works. This may be on a rooftop, on the side of a building, or inside a building (typical downtown set-up). The CUs will be mounted inside the building where your cell phone does not work.

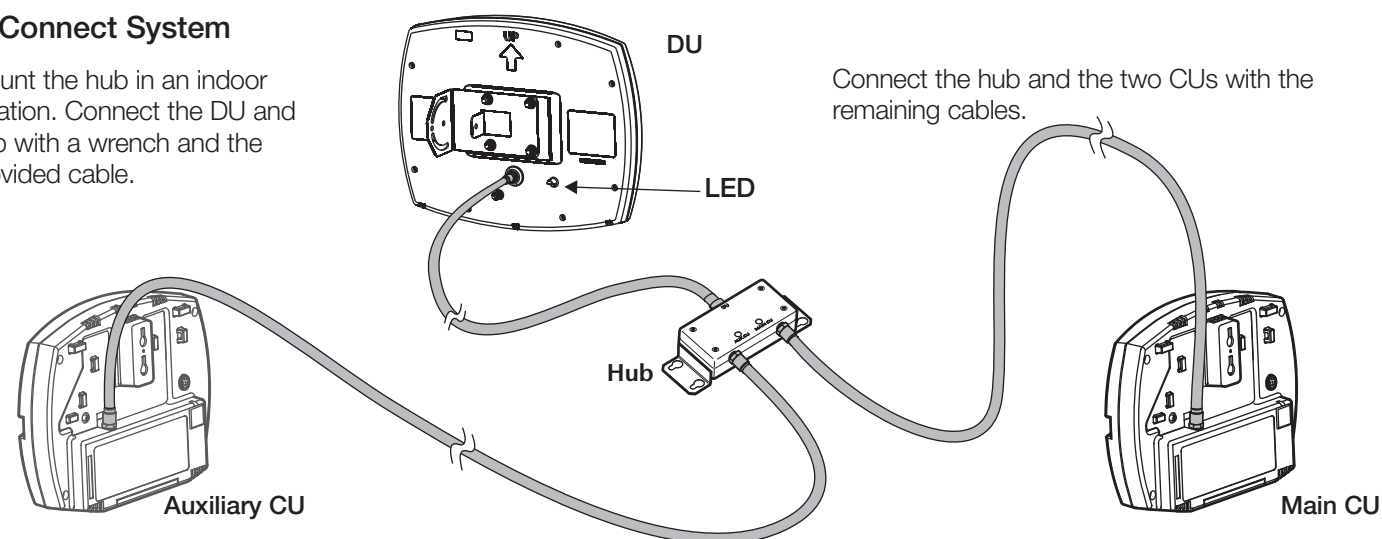
To start the installation, place the DU and CUs in the general areas where they are to be located. Do not physically mount them at this time.

If the DU is mounted indoors, maximum separation between the DU and CUs, and back-to-back positioning will optimize performance.



3. Connect System

Mount the hub in an indoor location. Connect the DU and hub with a wrench and the provided cable.

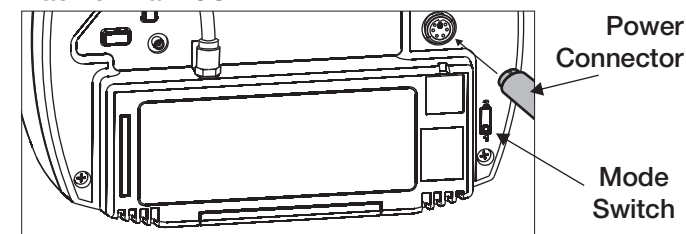


Connect the hub and the two CUs with the remaining cables.

4. Set Mode & Connect Power

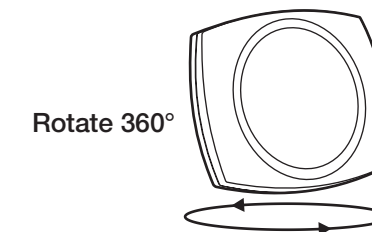
The Main CU must be installed first. Set the switch on the bottom of the Main CU to "1". Connect the power supply to the Main CU, then plug the adapter into an AC outlet.

Back of Main CU



5. Align DU

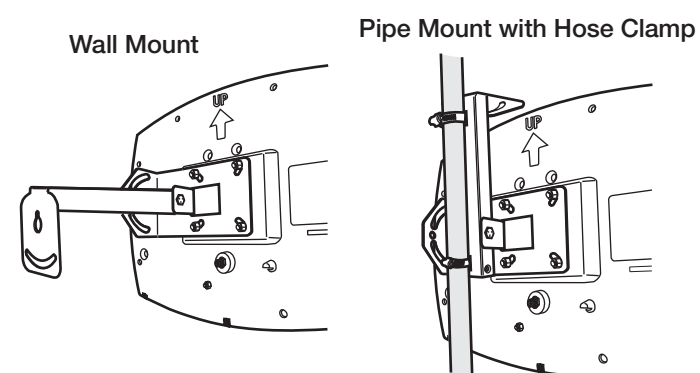
The DU should be mounted in an area where your cell phone works best. In this location, rotate the DU in a complete circle. The LED on the back of the DU will change color (red, yellow, or green) during the rotation.



Begin rotating the DU again. When the LED turns green, stop the rotation. This is the direction the DU must face when mounted.

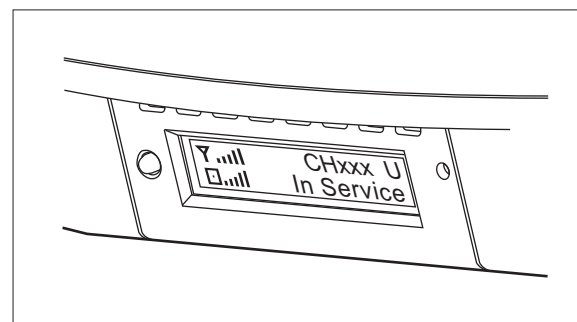
6. Mount DU

Now mount the DU. Typical installations are pictured below. Make sure the DU is facing in the same direction where the LED turned green in step 5.



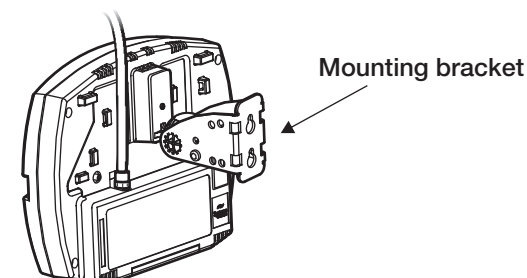
7. Set CU to Active

Set the mode switch on the CU to 2 (active). Hold the CU in the location to be mounted. The LCD on the bottom of the CU indicates coverage (▣) by the number of bars; more bars indicate better coverage.



8. Mount CU

Mount the CU from a wall or ceiling, close to the center of the area requiring coverage.



Connect the extra power supply to the Auxiliary CU, then plug the adapter into an AC outlet. Repeat step 7 and step 8 for installing the Auxiliary CU.

9. Final Checklist

- Follow local code requirements for properly grounding the system.
- If the DU is mounted outdoors, ensure that there is a drip loop on the cable connecting to the DU, on the cables connecting to both sides of the ground block, and where the cable enters the building.
- Firmly affix the cables to the building where they run between the DU, hub, and CU.

